



55-inch Class Ultra Narrow Bezel LCD Display

TH-55LFV9W

www.panasonic-center.at

Product specification (design and specification subject to change without notice)

■ DISPLAY PANEL

Screen Size (Diagonal)	55-inch (1387 mm)
Panel Type / Backlight	IPS / Direct LED
Aspect ratio	16:9
Effective Display Area (W x H)	1209.6 x 680.4 mm
Resolution (H x V)	1920 x 1080
Brightness (Typ)	500 cd/m ²
Contrast Ratio (typ)	1200:1
Dynamic Contrast Ratio	500000:1
Viewing Angle (Horizontal / Vertical)	178° / 178° (CR ≥ 10)
Max. Display Colors	approx. 1.07 Billion
Response Time (typ)	8.0 ms (G to G)
Panel Life (typ)*	approx. 60000 hours
Panel Surface Treatment	Advanced Anti glare (Haze 28%)

*When the panel lifetime is at 50% of the brightness under the condition of 25 degrees Celsius (+/- 2 degrees Celsius).

■ CONNECTION TERMINAL

HDMI IN	HDMI Type A Connector x 2	Linear PCM (Sampling frequency : 48 kHz/44.1 kHz/32 kHz) Compatible with HDCP 1.4
COMPONENT IN	BNC x 1 set	Y : BNC Contact Plug with sync 1.0 V [p-p] (75 Ω) P _B /C _B : BNC Contact Plug without sync 0.7 V [p-p] (75 Ω) P _R /C _R : BNC Contact Plug without sync 0.7 V [p-p] (75 Ω)
AUDIO IN	Pin Jack (L+R) x 1 (Shared with VIDEO IN)	0.5 Vrms
VIDEO IN	BNC x 1 set (Shared with COMPONENT IN Y)	1.0 Vp-p (75 Ω)
AUDIO IN	Pin Jack (L+R) x 1 (Shared with COMPONENT IN)	0.5 Vrms
DVI-D IN	DVI-D 24-pin x 1 (Female)	Compliance with DVI Revision 1.0 Compatible with HDCP 1.4
AUDIO IN	Stereo Mini Jack (M3) x 1 (Shared with PC IN)	0.5 Vrms
DVI-I (DVI-D / VGA) OUT	DVI-I 29-pin x 1 (Female)	Compliance with DVI Revision 1.0 Compatible with HDCP 1.4 RGB : 0.7 V [p-p] (75 Ω), H/CS/V : TTL (2.2 KΩ), SOG : 1 V [p-p] (75 Ω)
PC IN	Mini D-Sub 15-pin x 1 (Female)	Compatible with DD2CB Y/G : with sync 1.0 V [p-p] (75 Ω) : without sync 0.7 V [p-p] (75 Ω) P _B /C _B /B : without sync 0.7 V [p-p] (75 Ω) P _R /C _R /R : without sync 0.7 V [p-p] (75 Ω) HD/VD : 1.0 - 5.0 V [p-p] (high impedance)
AUDIO IN	Stereo Mini Jack (M3) x 1 (Shared with DVI-D IN)	0.5 Vrms
DisplayPort IN / OUT	Displayport x 1 (DP1.1a / DP1.2) / x 1	
SERIAL IN / OUT	2.5 mm Stereo Mini Jack x 1 / x 1	
LAN	RJ45 x 1, 10BASE-T / 100BASE-TX, Compatible with PLink™	
IR IN / OUT	Stereo Mini Jack (M3) x 1 / x 1	
AUDIO OUT	Stereo Mini Jack (M3) x 1	0.5 V [rms]
USB	Variable (-∞ - 0 dB) (1 kHz 0 dB Input, 10 k Ω Load) USB 2.0 Type A connector x 1 DC 5 V / 500 mA (USB3.0 is not supported.)	

■ AUDIO

EXT SP	8 Ω, 20 W [10 W + 10 W] (10 % THD)
--------	------------------------------------

■ ELECTRICAL

Power Requirements	220 - 240 V, 50 Hz/60 Hz
Power Consumption	185 W
On Mode Average Power Consumption*	103 W
Power Off Condition	approx. 0 W
Stand-by Condition	approx. 0.5 W
Apparent power	195 VA

*Based on IEC 62087 Ed.2 measurement method

■ MECHANICAL

Dimension (W x H x D)	1213.4 x 684.2 x 98.0 mm
Weight	approx. 27 kg
Carton Dimensions (W x H x D)	1395 x 848 x 280 mm
Gross Weight	37 kg
Cabinet Material / Color	Metal / Black
Bezel Width	T/L : approx. 2.25 mm, B/R : approx. 1.25 mm
Pitch for Wall-Hanging	VESA Compliant 400 x 400 mm (Installed by: M6 screws / Screw hole depth 12 mm)

■ INSTALLATION

Orientation	Landscape / Portrait*
Tilting Angle	Landscape : 0 - 0 degrees forward / backward Portrait : 0 - 0 degrees forward / backward

* Please contact your sales representative with regard to the tilt angle before installation.

* When installing it vertically, please install it in the clockwise direction.

MAIN FEATURE

USB Media Player	YES
Failover/Failback	YES
Multi display settings	YES
Power on screen delay	YES
Auto setting	YES
HDMI/PC/DVI-D power management	YES
Power save	YES
Screensaver	YES
Button lock	YES
Controller user level	YES
Input search	YES
Dynamic contrast	YES
Colour enhancement	YES
Set up timer	YES
PJLink™	YES
Early Warning Software compatible	YES
Multi Monitoring & Control Software compatible	YES
Video Wall Manage	YES
DisplayPort Multi-Stream Transport	YES
DisplayPort Single-Stream Transport	YES
Operating Time	24h / 7d

* In case of running for a long time, the moving image is recommended to be displayed. If you display a still picture for an extended period, the image retention might remain on the screen. However, image retention can gradually disappear by displaying a moving images.

STANDARD (CERTIFICATIONS)

SAFETY REGULATIONS	IEC 62368-1:2014(Second Edition) IEC 60950-1:2005(Second Edition) + Am 1:2009 + Am 2:2013 EN 62368-1:2014(Second Edition) (TBD) EN 60950-1:2006 + A11:2009 + A1:2010 + A12:2011 + A2:2013 AS/NZS 60950.1:2011 Inc A1
RADIATION REGULATIONS	EN55032:2012 + AC:2013 Class A EN55022:2010 EN55013:2013 EN55024:2010 EN61000-3-2:2014 EN61000-3-3:2013 AZ/NRZ CISPR32

ENVIRONMENTAL

Operating Environment	Temperature	: 0°C to 40°C *1
		: 0°C to 35°C *2
	Humidity	: 20% to 80% (No condensation)
	Altitude	: 0 to 2800 m
Storage Environment	Temperature	: -20°C to 60°C
	Humidity	: 5% to 95% (No condensation)
	Altitude	: 0 to 9000 m

*1 : for up to 1400 m altitude

*2 : for between 1400 m and 2800 m altitude Depending on the temperature or humidity conditions, uneven brightness may be observed. This is not a malfunction.

• This unevenness will disappear while applying current continuously. If not, consult the distributor.

INCLUDED ACCESSORIES

- Power supply cord (2.0 m)
- Remote Control Transmitter
- Batteries (AAA/R03/UM4 type) x 2
- Clamper x 3
- Operating instructions
- IR receiver cable
- IR Daisy Chain Cable
- RS232 Convert Cable
- RS-232 Daisy Chain Cable
- DisplayPort cable

REMOTE CONTROL TRANSMITTER

Power Requirements	DC 3 V (2 x AAA/R03/UM4 type batteries)
Operating distance	approx. 7 m*
Weight	approx. 105 g including batteries
Dimensions (W x H x D)	50 x 200 x 22.9 mm

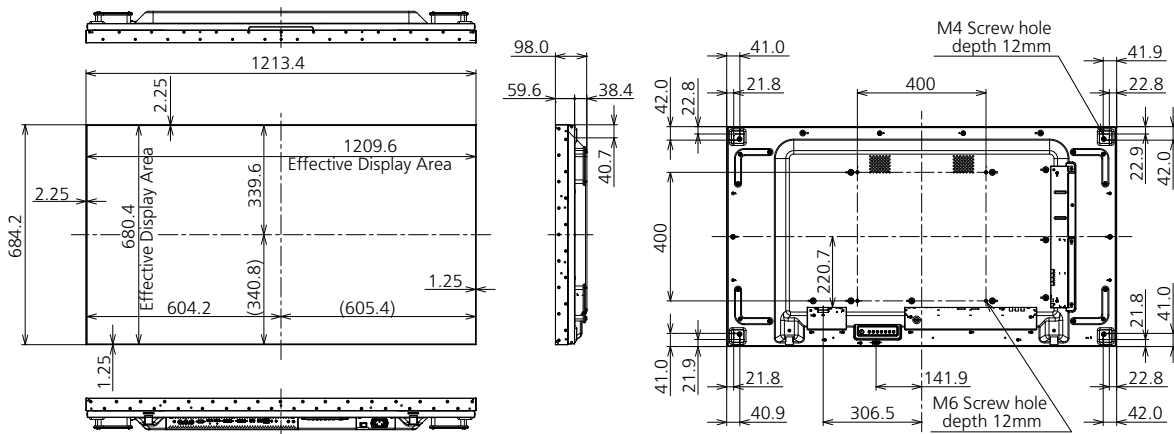
* When operated directly in front of receptor.

OPTIONAL ACCESSORIES

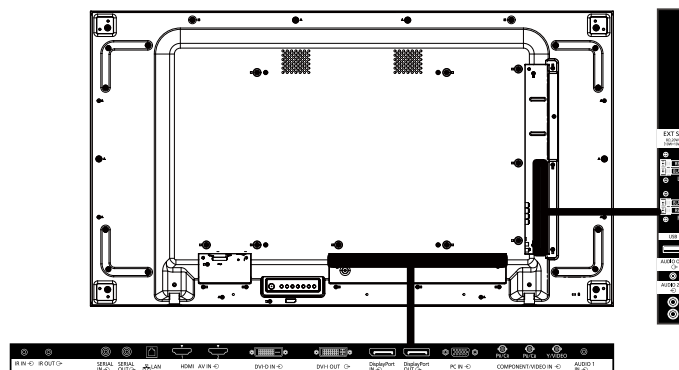
Installation Mount	TY-VK55LV2
Auto Display Adjustment Upgrade Kit	TY-VUK10
Early Warning Software	ET-SWA100series

DIMENSIONS

Cautions: This drawing is not a scale
Units : mm



CONNECTION TERMINAL



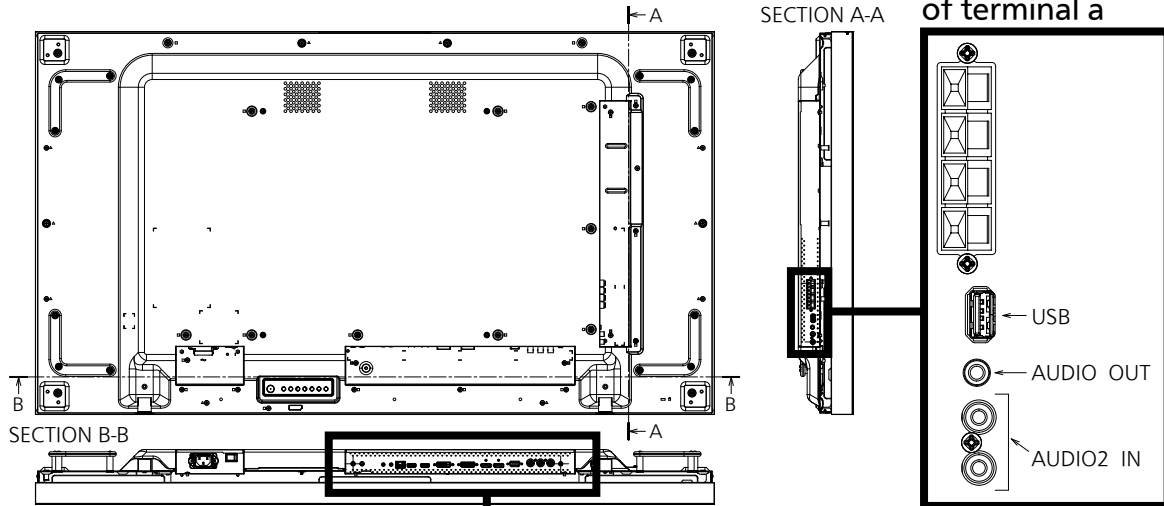
* Specifications and appearance are subject to change without notice.

● INPUT MODE

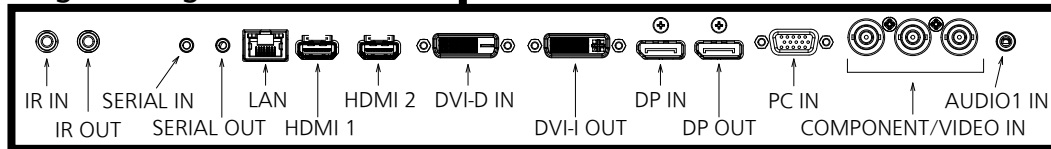
Correspondence signal	Resolution (dot)		Scan rate (I/P)	Refresh Rate	Dot clock rate (Pixel Rate)	Aspect Ratio
	Horizontal	Vertical				
VGA	640	480	P	60 Hz	25.175 MHz	4:3
				72 Hz	31.5 MHz	
				75 Hz	31.5 MHz	
WVGA	720	400	P	70 Hz	33.75 MHz	16:9
SVGA	800	600	P	60 Hz	40 MHz	4:3
				75 Hz	49.5 MHz	
XGA	1024	768	P	60 Hz	65 MHz	4:3
				75 Hz	78.75 MHz	
SXGA	1280	1024	P	60 Hz	108 MHz	5:4
WXGA	1280	768	P	60 Hz	79.5 MHz	5:3
		800			79.5 MHz	16:10
		768			85.5 MHz	16:9
		768			85.5 MHz	16:9
UXGA	1600	1200	P	60 Hz	162 MHz	4:3
HD1080	1920	1080	P	60 Hz	148.5 MHz	16:9
480i	720	480	I	29.97 Hz	13.5 MHz	4:3
480P			P	59.94 Hz	27 MHz	
576i	720	576	I	25 Hz	13.5 MHz	4:3
576P			P	50 Hz	27 MHz	
720P	1280	720	P	50 Hz	74.25 MHz	16:9
				60 Hz		
1080i	1920	1080	i	25 Hz	74.25 MHz	16:9
				30 Hz		
1080P	1920	1080	P	50 Hz	148.5 MHz	16:9
				60 Hz		
QFHD	3840	2160	P	30 Hz	297 MHz	16:9

• Your PC Display screen might appear different depending on the manufacturer (and your particular version of Windows).

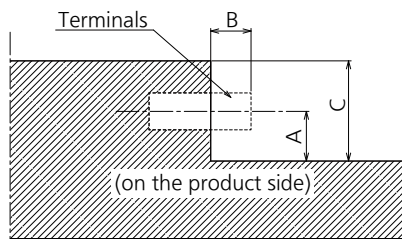
Drawing of terminals
View from back



Magnified figure of terminal b



Sectional view of terminal a (USB/ AUDIO IN/AUDIO2 IN)

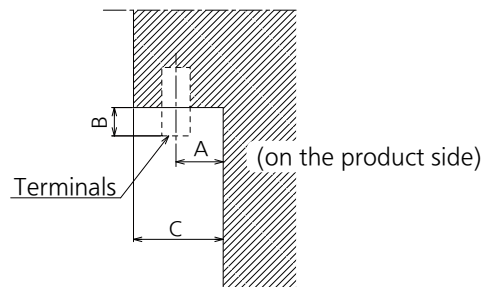


Terminal a
55LFV9W Terminal (Side)

Units : mm

	USB	AUDIO IN	AUDIO2 IN
A	11.5	12.5	11.9
B	-	2.7	8.7
C	37.9		

Sectional view of terminal b (IR IN/OUT/SERIAL IN/OUT/LAN/HDMI1.2/DVI IN/OUT/
Display Port IN/OUT/PC IN/COMPONENT/VIDEO IN/AUDIO1 IN)



Terminal b
55LFV9W Terminal (Bottom)

Units : mm

	IR (IN/OUT)	SERIAL (IN/OUT)	LAN	HDMI 1.2	DVI IN/OUT	Display Port (IN/OUT)	PC IN	COMPONENT/VIDEO IN	AUDIO1 IN
A	17.5	16.0	15.3	14.3	15.9	14.4	17.2	19.2	17.5
B	2.2	1.2	-	-	5.8	-	5.3	11.8	2.7
C	42.9								

*Due to the construction of terminal, some types of connecting cable or USB memory device cannot be used.
Be sure to use connecting cable or USB memory device after confirmation in this drawing.